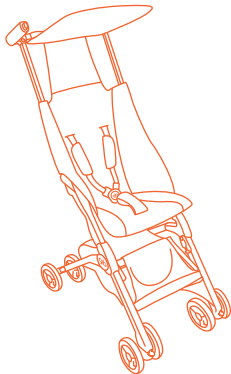




# POCKIT

## FUTURE PERFECT







**PREPARATION**

**4**



**COMPACT FOLD**

**6**



**ULTRA COMPACT FOLD**

**7**



**USING THE HARNESS SYSTEM**

**10**



**USING THE BRAKE**

**13**



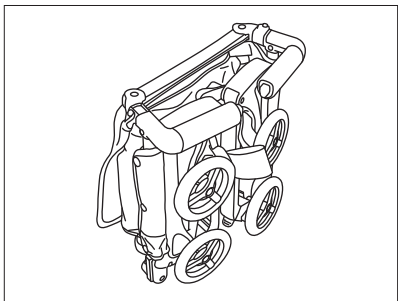
**USING THE SWIVEL LOCKS**

**14**

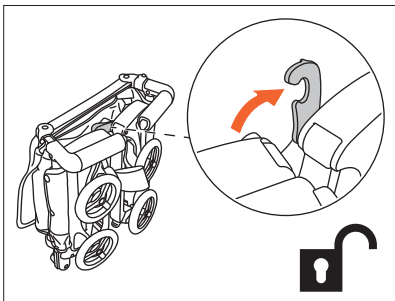


**REMOVING THE FABRIC**

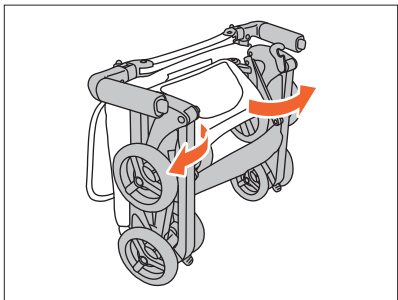
**16**



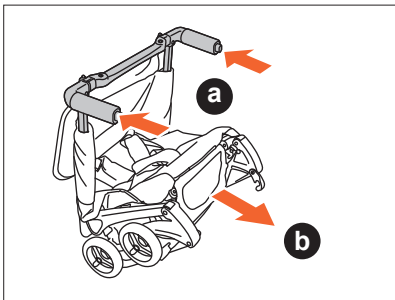
1



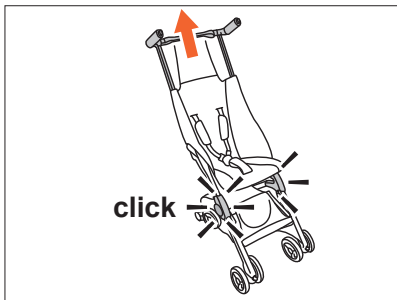
2



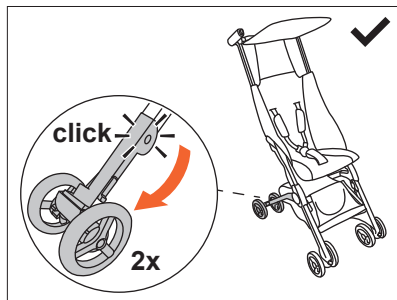
3



4

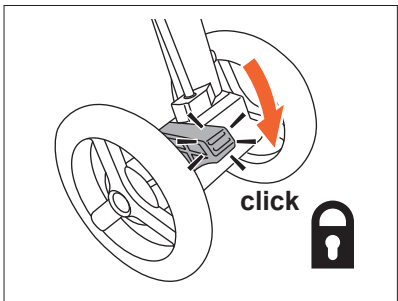


5

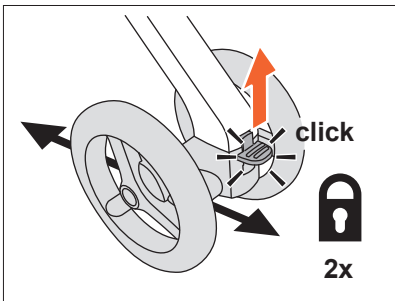


6

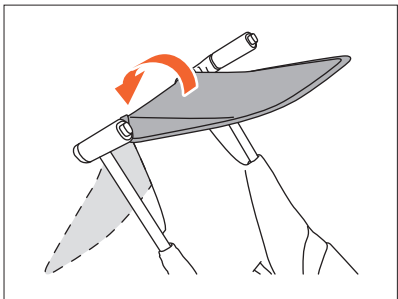




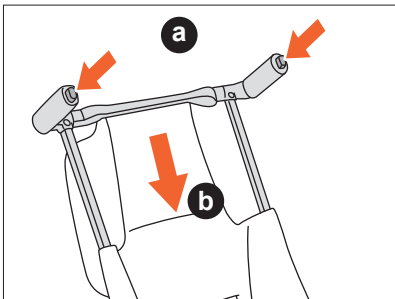
1



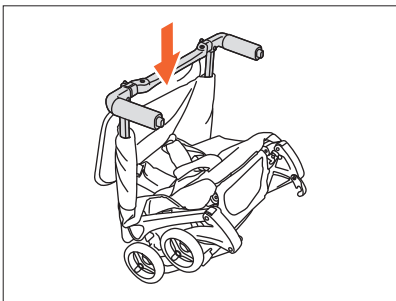
2



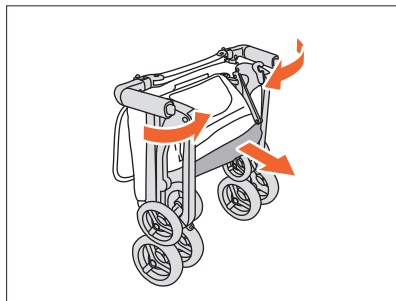
3



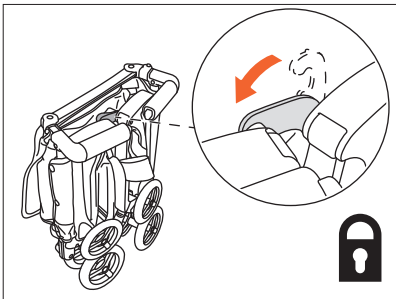
4



5

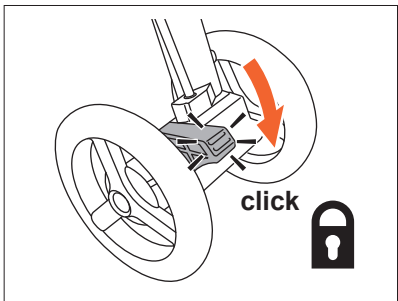


6

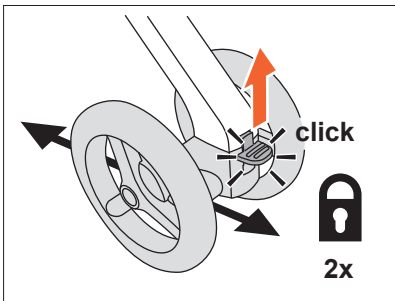


7

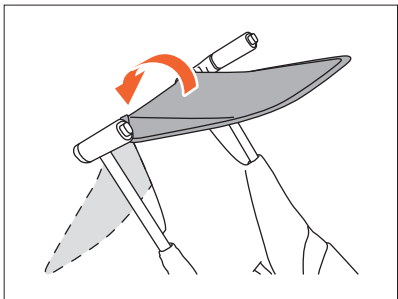
7



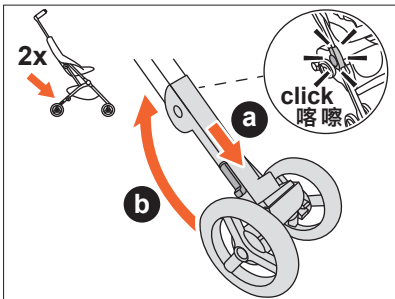
1



2

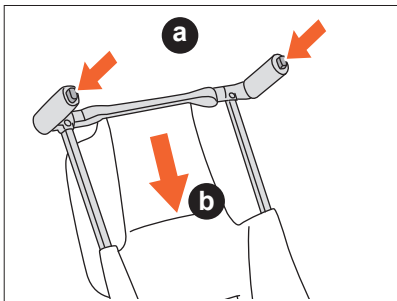


3

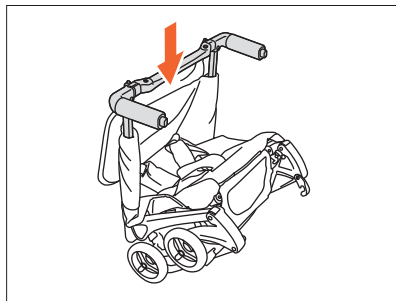


4

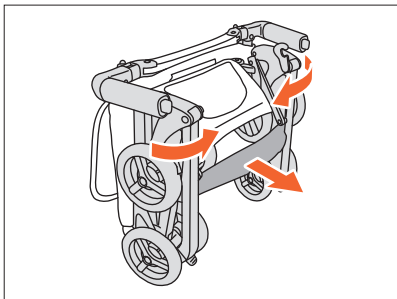




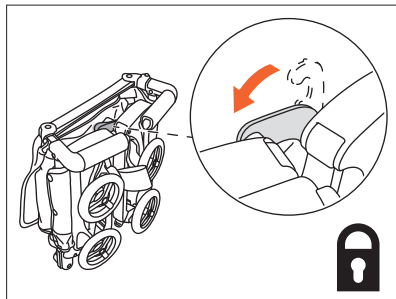
5



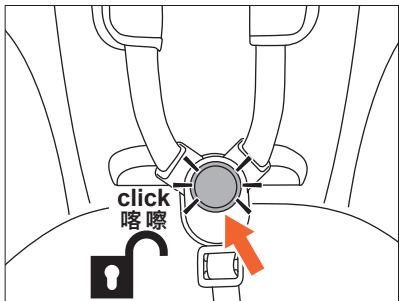
6



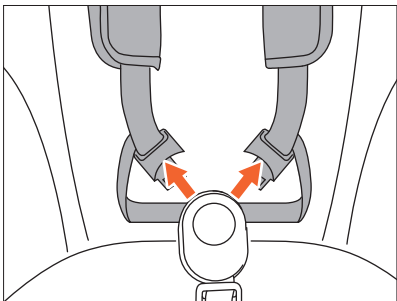
7



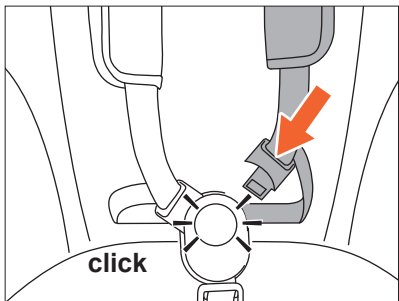
8



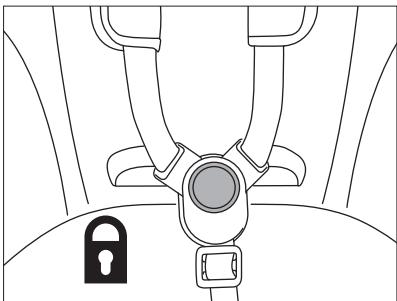
1



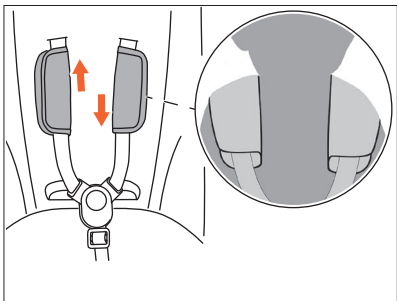
2



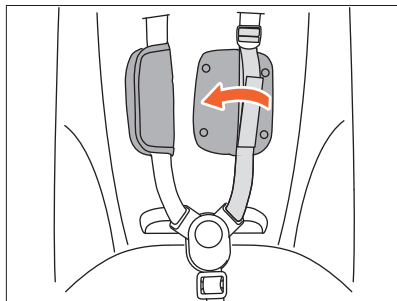
3



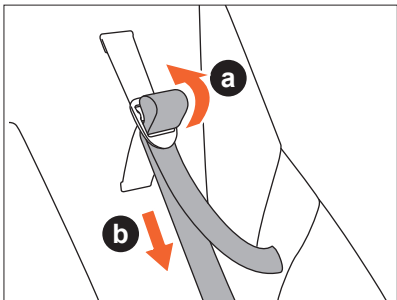
4



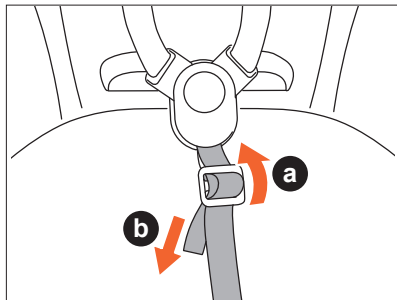
1



2



3

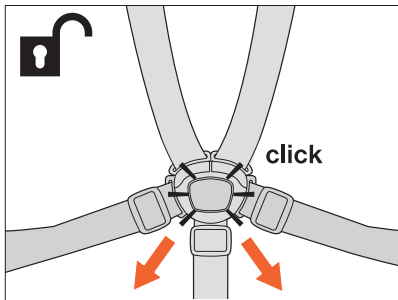


4

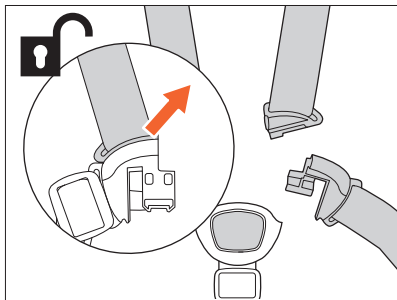




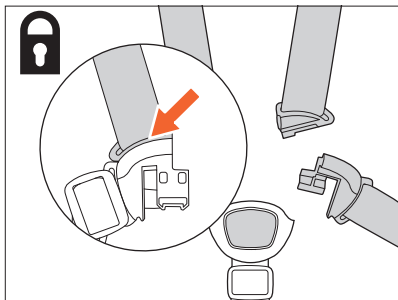
AUS



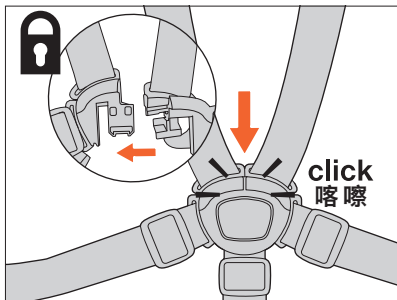
1



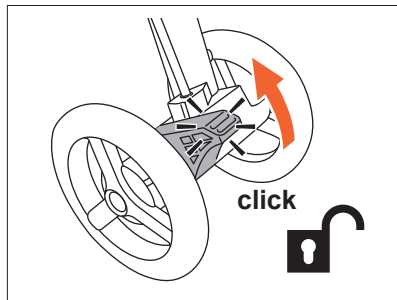
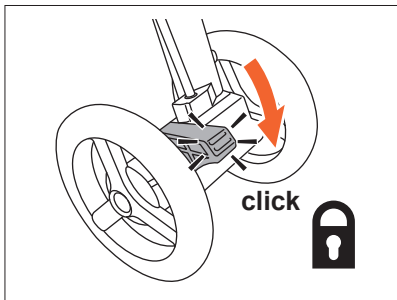
2

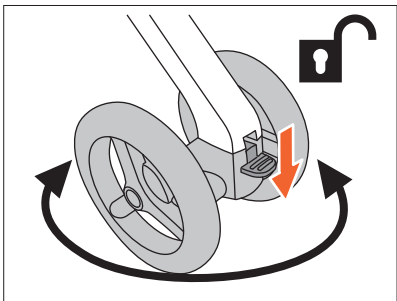
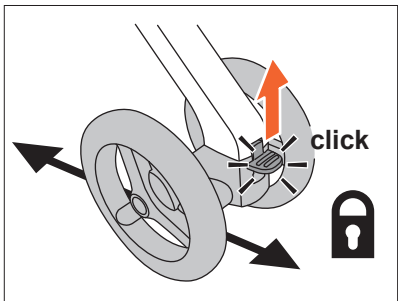


1

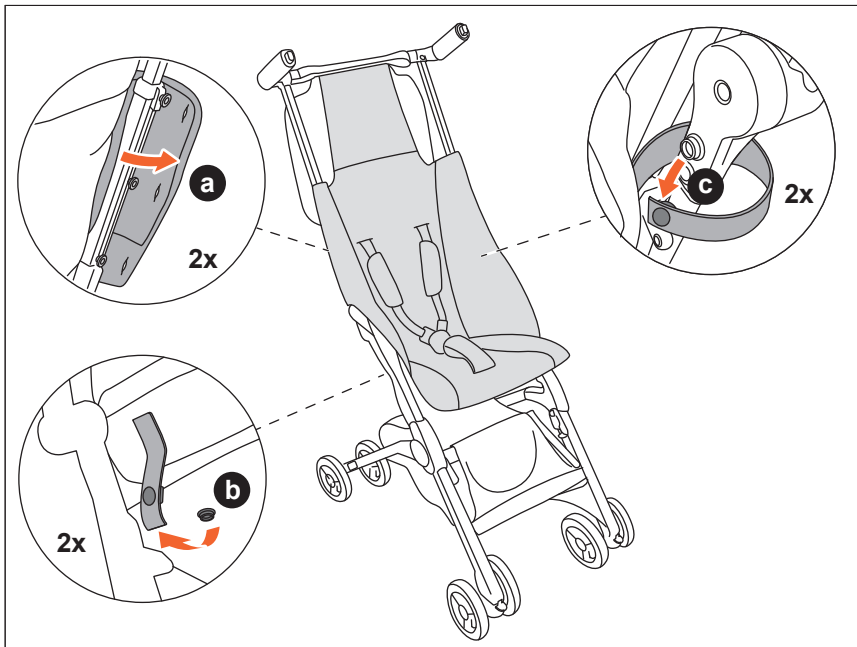


2

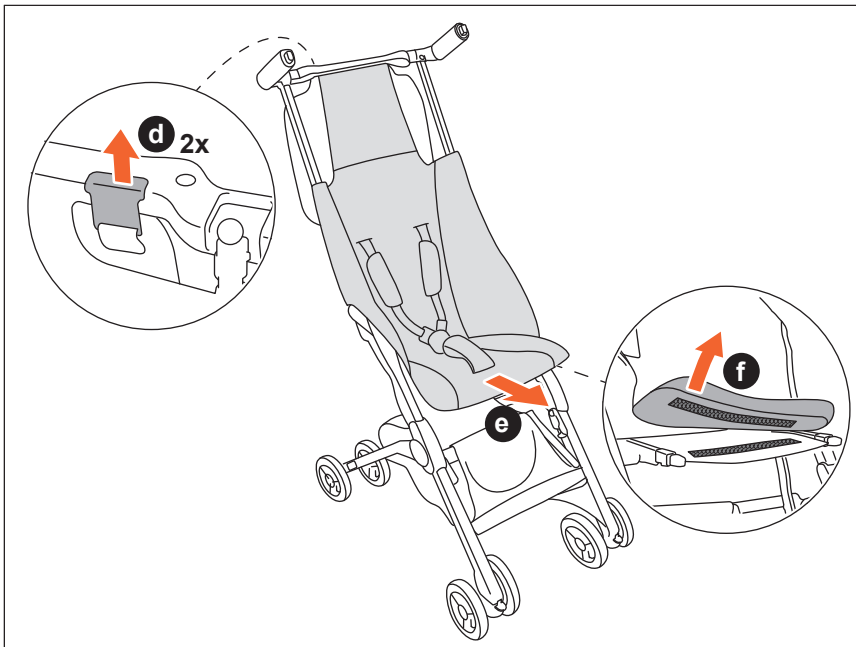














GOLD

---

## CONTACT

### EUROPE AND ASIA

gb GmbH  
Riedingerstr 18  
95448 Bayreuth  
Germany  
info@gb-online.com  
www.gb-online.com

### AUSTRALIA

CNP Brands  
20 Calarco Drive, VIC, 3030  
Australia  
Customer Service 1300 667 137  
www.cnpbrands.com.au

### AMERICAS

Columbus Trading-Partners USA Inc.  
560 Harrison Avenue  
Boston, MA 02118  
USA  
Customer Service 1-844-543-2020  
<http://register.gb-online.com/us/products>  
www.gb-online.com

### NEW ZEALAND

Wainhouse Distribution,  
2-6 Argyle St, Morningside,  
PO Box 41-014, St Lukes, Auckland  
New Zealand  
Customer Service: 0800 567 5000  
helpline@wainhousedist.co.nz